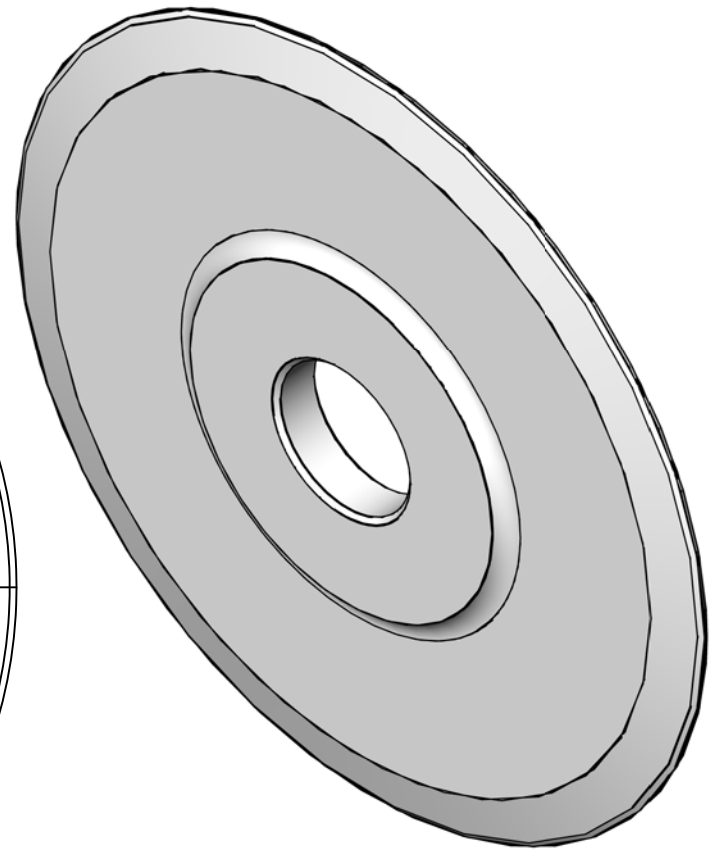
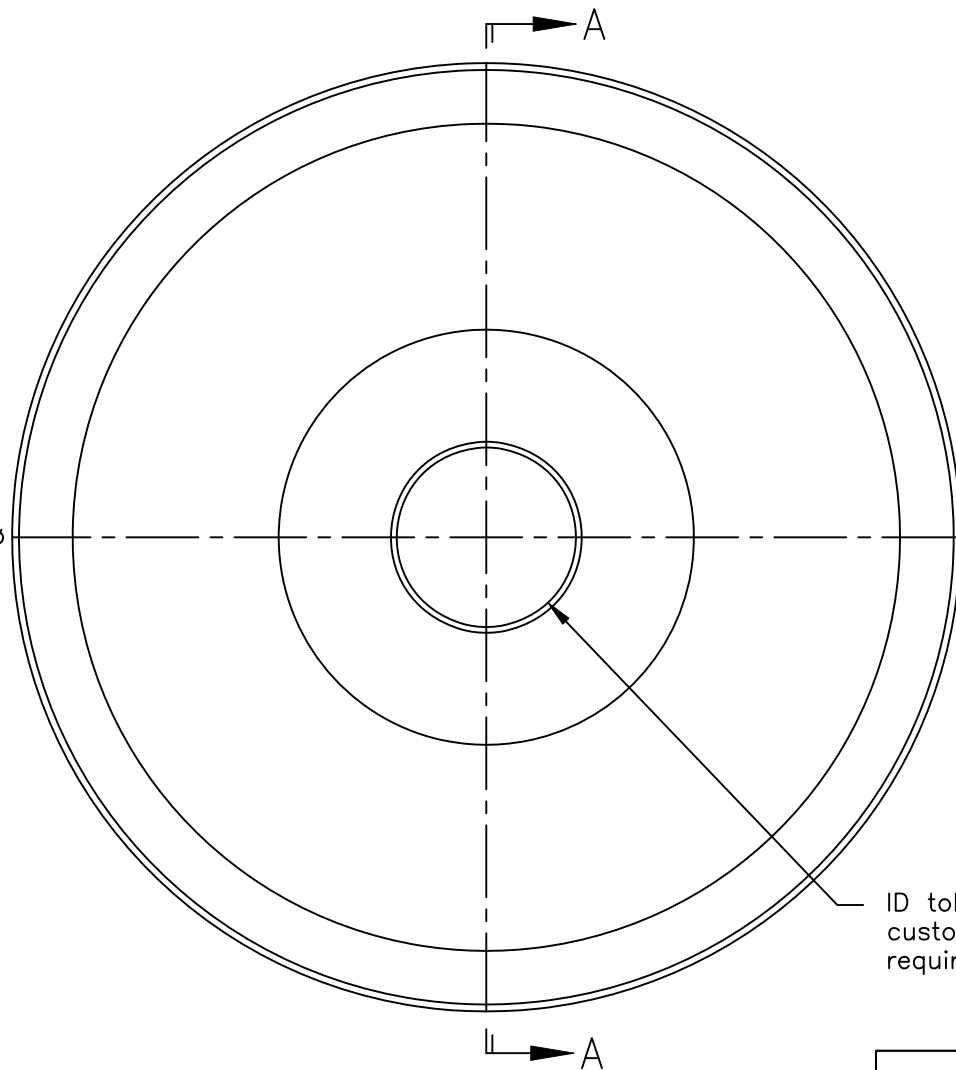


SECTION A-A



ID tolerance per customer requirements.

Website Drawing

PORTAGE KNIFE
COMPANY

MANUFACTURER OF
SCORE SLITTERS
AND PERFORATORS

A DIVISION OF PORTAGE MACHINE CONCEPTS, INC. AKRON, OHIO (330) 784-0700

390-60-005-D2-NB Circular Knife

SIZE A	DWG NAME: 390-Unge.dwg
-----------	---------------------------

SCALE: NONE	DATE: 11/29/2018	DRAWN: D. MILLER	SHEET: 1
-------------	------------------	------------------	----------

- Unless noted otherwise, all dimensions are nominal.
- Circular knife is manufactured from [D2] material, heat treated to a hardness of [60-62] HRC.
- This part has No Black Oxide.

This print and the intellectual content is the property of Portage Machine Concepts, Inc. and must not be copied, transmitted or disseminated, in any way, without the written permission of Portage Machine Concepts, Inc.